

e-WORKER 25.5





PERFORMANCE AND FEATURES

Performance

Unladen weight (kg)

4950

4950

Maximum load capacity

2500

2500

Lift height (m)

4,8

4,8

Maximum reach

2,6

2,6

Load capacity at max. lift height

1500

1500

Load capacity at max. reach

900

900

Lift height at max. load capacity

3,4

3,4

Reach at max. load capacity

1,15

1,15

Boom section

2

2



Powertrain

Engine

3 x Electrical

2 x Electrical

Battery (type and V)

Lead Acid - 48 V

lead-acid - 48 V

Nominal capacity

960 Ah

960 Ah

Emissions

No emissions

No emissions

Engine power (kW/HP)

66/90

44/60

Maximum speed

25

25

Traction

4WD, 3 traction modes

2WD, 3 traction modes

Autonomy (hours)

8h

8h

Recharge time

9h (220V)

9h (220V)

Recharge voltage

220V/400V

220V/400V

Battery charger

YES

YES



Hydraulic

Hydraulic pump

LS + FS

LS + FS

Delivery / pressure (l / min-bar)

42 l/min (210 bar)

42 l/min (210 bar)

Auxiliary hydraulic service on boom

YES

YES

Rear service line

○

○



Cab

Closed cab

○

○

FOPS LIV I and ROPS

●

●

Controls

Electronic joystick control

Electronic joystick control

Reverse shuttle

Dual Reverse

Dual Reverse



Configuration

Battery fast replacement

●

●

Tac-lock

●

●

Work lights on cab (LED)

●

●

Rotating beacon and blue reverse light

●

●

Two floating forks

●

●

Hydropneumatic Suspension BSS Merlo

○

○

Two steering wheels

Rear

Rear

Front standard tyres

AS 504 10,0/75-15,3
18PR

AS 504 10,0/75-15,3
18PR

Rear standard tyres

AS 504 10,0/75-15,3
18PR

AW702 10,0/75-15,3
18PR

Rear axle

Axial

Axial

E-holder brakes

●

●

Regenerative braking

●

●

Automatic parking brake

●

●

Pre-arrangement for aerial work platform

○

○

Tractor type approval

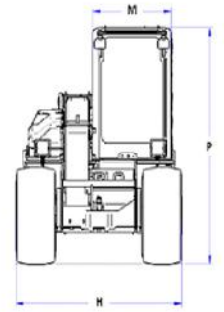
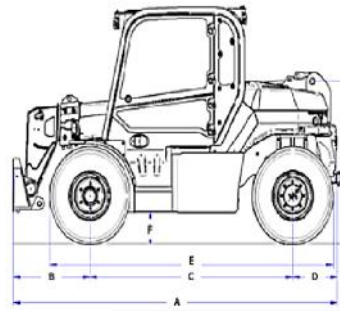
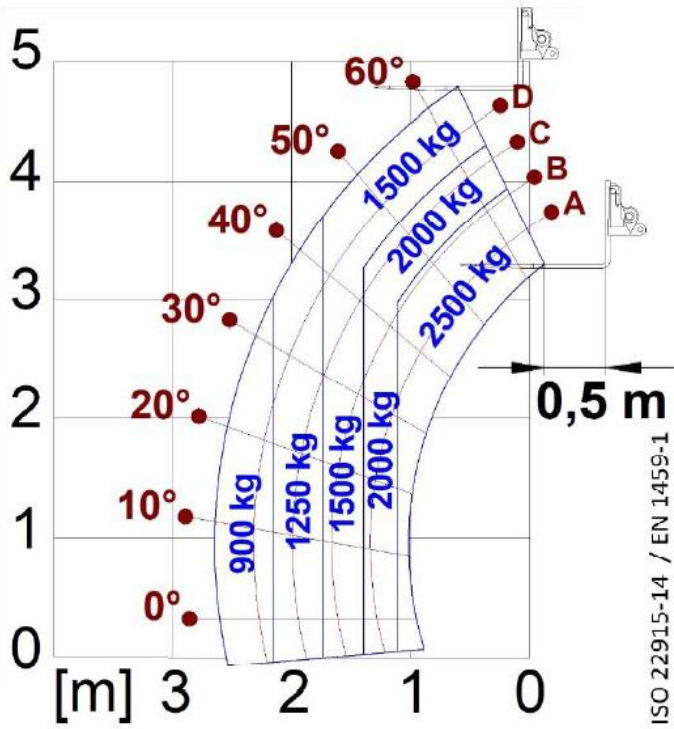
○

○

— not available

● standard

○ optional

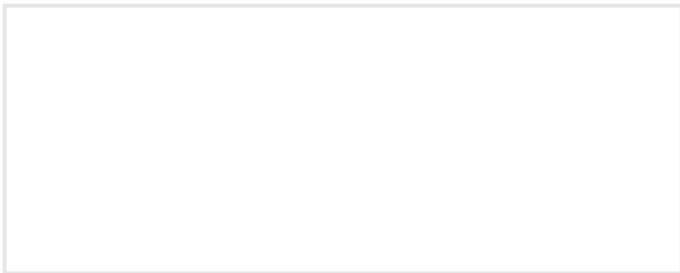


Dimensions



	EW25.5-90_EU	EW25.5-60_EU	
Dimension_A (mm)	3320	765	
Dimension_C (mm)	2100	2940	
Dimension_F (mm)	230	230	
Dimension_H (mm)	1540	1540	
Dimension_M (mm)	770	770	
Dimension_P (mm)	1975	1975	
Dimension_R (mm)	3250	2850	
Dimension_S (mm)	2700	2230	

Your Merlo dealer



MERLO S.P.A.

Via Nazionale, 9

12010 S. Defendente di Cervasca, (Cuneo) Italia

Tel. +39 0171 614111

Fax +39 0171 684101

info@merlo.com

www.merlo.com



